

STRIEBIG STANDARD S

The universal vertical saw

Technical specifications

Weight of the saw	approx. 1.100 kg
Cutting depth	80 mm
Saw motor power	5.5 kW (7.5 HP)
Saw blade diameter	300 mm
Saw blade bore	30 mm * ¹
Emission sound pressure level at the workplace L _{pA}	83 dB * ²
Saw blade speed	4800 rpm
1 extraction connection	ø 140 mm
Compressed air connection	6-10 bar * ³
Wattage	7.5 kW
Network connection	3 x 400 V / 50 Hz

*1 with 2 side holes Ø 9 mm, radius 30 mm ·

*2 measurement standards and emission values in accordance with EN 1870-14, measurement uncertainty allowance K = 4 dB (A).

*3 Compressed air connection only required for options (all specifications refer to the STANDARD S Type 6224)

For all machines:

Powerful TRK dust extraction significantly below 2 mg/m³. The system used must have an extraction performance of 20 m/s in order to meet the TRK specifications. (Vacuum approx. 1400 Pa. / COMPACT approx. 1470 Pa) at the connector in order to meet the TRK specifications.

Technical note:

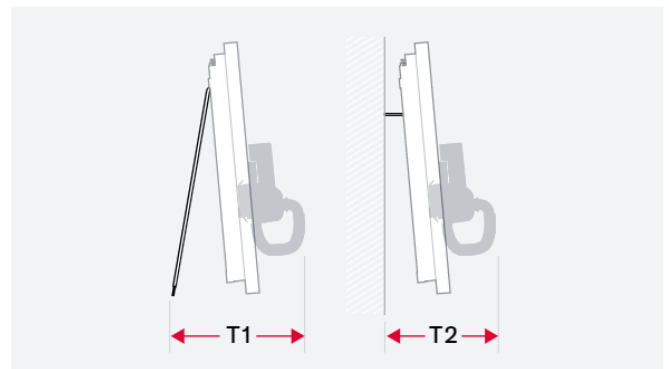
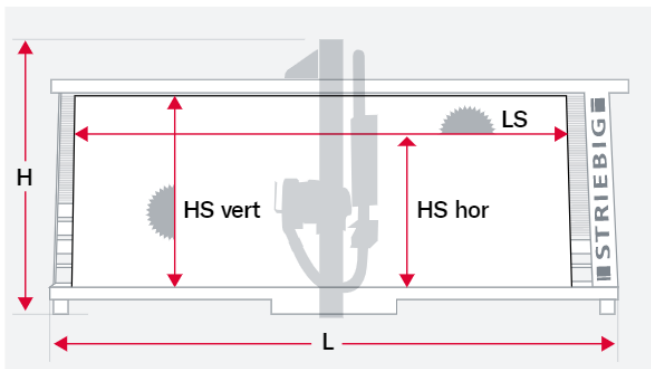
Permissible ambient temperature min: + 5 °C / max. + 40 °C

Relative humidity: 19 - 95% without condensation

In case of mains fluctuations greater than +/- 10% of the nominal voltage, a voltage stabiliser must be installed at the place of use.

The technical specifications are approximate values.

We reserve the right to make changes due to further developments.



Dimensions in mm

Type	L	H	T1 free	T2 Wall
6224	6626	3055	1766	1383
6216	6626	2971	1730	1376
6168	6626	2497	1525	1334
5224	5626	3055	1766	1383
5216	5626	2971	1730	1376
5168	5626	2497	1525	1334
4224	4626	3055	1766	1383
4216	4626	2971	1730	1376
4168	4626	2497	1525	1334

Cutting area in mm

Type	LS	HS vertical	HS horizontal
6224	5300	2240	2100
6216	5300	2160	2016
6168	5300	1680	1540
5224	4300	2240	2100
5216	4300	2160	2016
5168	4300	1680	1540
4224	3300	2240	2100
4216	3300	2160	2016
4168	3300	1680	1540