

STRIEBIG EVOLUTION

Entry level to automatic sawing functions

Technical specifications

Weight of the saw	approx. 1.100 kg
Cutting depth	80 mm ^{*1}
Saw motor power	5.5 kW (7.5 HP)
Saw blade diameter	300 mm
Saw blade bore	30 mm ^{*2}
Emission sound pressure level at the workplace L _{pA}	83 dB ^{*3}
Saw blade speed	4800 rpm
1 extraction connection	ø 140 mm
Compressed air connection	6-10 bar
Wattage	7.5 kW
Network connection	3 x 400 V / 50 Hz

*1 Option: 103 mm ·

*2 with 2 side holes Ø 9 mm, radius 30 mm ·

*3 Measurement standards and emission values according to EN 1870-14, measurement uncertainty allowance K = 4dB (A). (All data refers to EVOLUTION type 6224)

For all machines the following applies:

Efficient TRK dust extraction significantly below 2 mg/m³. The system used must have an extraction performance of 20 m/s in order to meet the TRK specifications. (Vacuum approx. 1400 Pa. / COMPACT approx. 1470 Pa) at the connector in order to meet the TRK specifications.

Technical note:

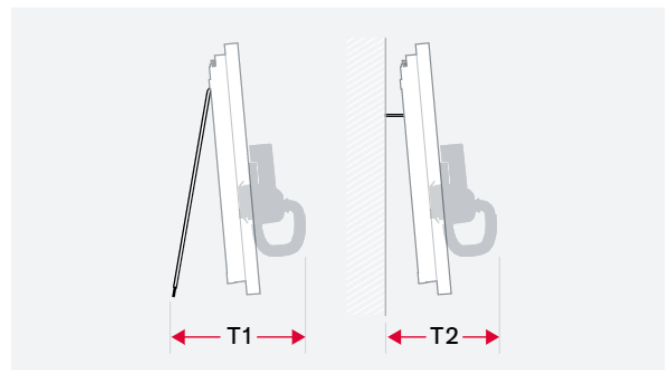
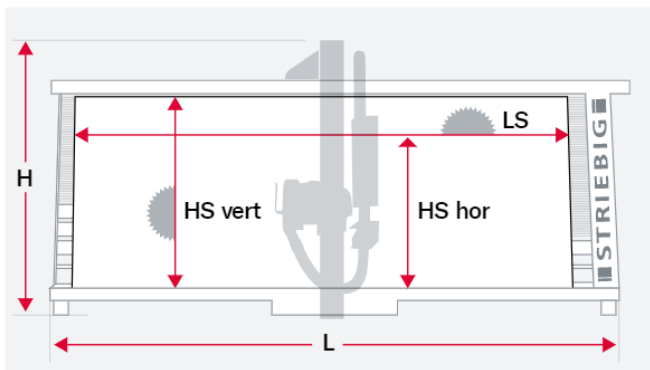
Permissible ambient temperature min: + 5 °C / max. + 40 °C

Relative humidity: 19 - 95% without condensation

In case of mains fluctuations greater than +/- 10% of the nominal voltage, a voltage stabiliser must be installed at the place of use.

The technical specifications are approximate values.

We reserve the right to make changes due to further developments.



Dimensions in mm

Type	L	H	T1 free	T2 Wall
6224	6645	3018	1741	1361
6216	6645	2934	1700	1354
6168	6645	2460	1500	1312
5224	5645	3018	1741	1361
5216	5645	2934	1700	1354
5168	5645	2460	1500	1312
4224	4645	3018	1741	1361
4216	4645	2934	1700	1354
4168	4645	2460	1500	1312

Cutting area in mm

Type	LS	HS vertical	HS horizontal
6224	5300	2240	2100
6216	5300	2160	2016
6168	5300	1680	1540
5224	4300	2240	2100
5216	4300	2160	2016
5168	4300	1680	1540
4224	3300	2240	2100
4216	3300	2160	2016
4168	3300	1680	1540