

STRIEBIG 4D

The vertical high-end-saw

Technical specifications

Weight of the saw	approx. 1.800 kg
Cutting depth	80 mm ^{*1}
Saw motor power	5.5 kW (7.5 HP)
Saw blade diameter	300 mm ^{*2}
Saw blade bore	30 mm ^{*3}
Emission sound pressure level at the workplace L _{pA}	83 dB ^{*4}
Saw blade speed	ø 4800 rpm
1 extraction connection	ø 140 mm
Compressed air connection	6-10 bar
Wattage	7.5 kW
Mains connection	3 x 400 V / 50 Hz

*1 Option: up to 130 mm ·
 *2 Option: up to 400 mm ·
 *3 with 2 side holes Ø 9 mm, radius 30 mm ·
 *4 Measurement standards and emission values according to EN 1870-14, measurement uncertainty allowance K = 4 dB(A). (All data refers to the Striebig 4D type 6224)

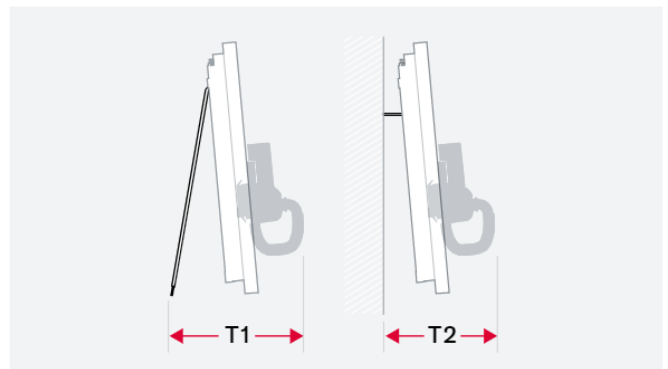
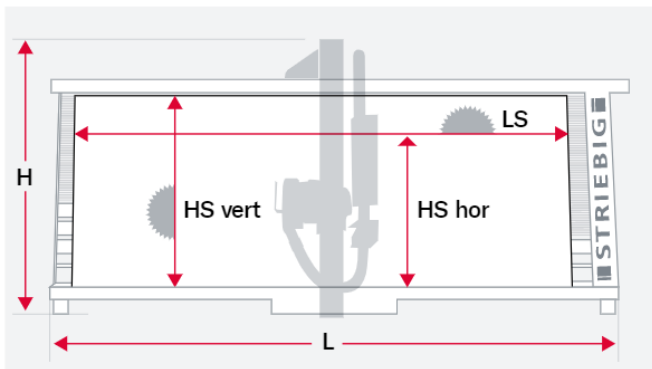
The following applies to all machines:

Efficient TRK dust extraction significantly below 2 mg/m³. The system used must have an extraction performance of 20 m/s in order to meet the TRK specifications. (Vacuum approx. 1400 Pa. / COMPACT approx. 1470 Pa) at the connector in order to meet the TRK specifications.

Technical note

Permissible ambient temperature min: + 5 °C / max. + 40 °C
 Relative humidity: 19 - 95% without condensation
 In case of mains fluctuations greater than +/- 10% of the nominal voltage, a voltage stabiliser must be installed at the place of use.

The technical specifications are approximate values.
 We reserve the right to make changes due to further developments.



**Dimension in mm
for cutting depth 80 mm**

Type	L	H H	T1 free	T2 Wall
6224	7303	3126	2074	1604

**Cutting range in mm
for cutting depth 80 mm**

Type	LS	HS vertical	HS horizontal
6224	5300	2240	2100
with PAV	3000	2170	2100

**Dimension in mm
for cutting depth 95/130 mm**

Type	L	H	T1 free	T2 Wall
6224	7463	3241	2192	1868

**Cutting range in mm
for cutting depth 95/130 mm**

Type	LS	HS vertical	HS horizontal
6224	5300	2240	2100
with PAV	3000	2170	2100